

ENSTO

Ensto PolyBox Rugged Industrial Enclosures



Better life.
With electricity.

Our solutions are developed for demanding industrial environments requiring a high degree of protection and extreme durability.

ensto.com/en-US

Ensto PolyBox

For Demanding Environments



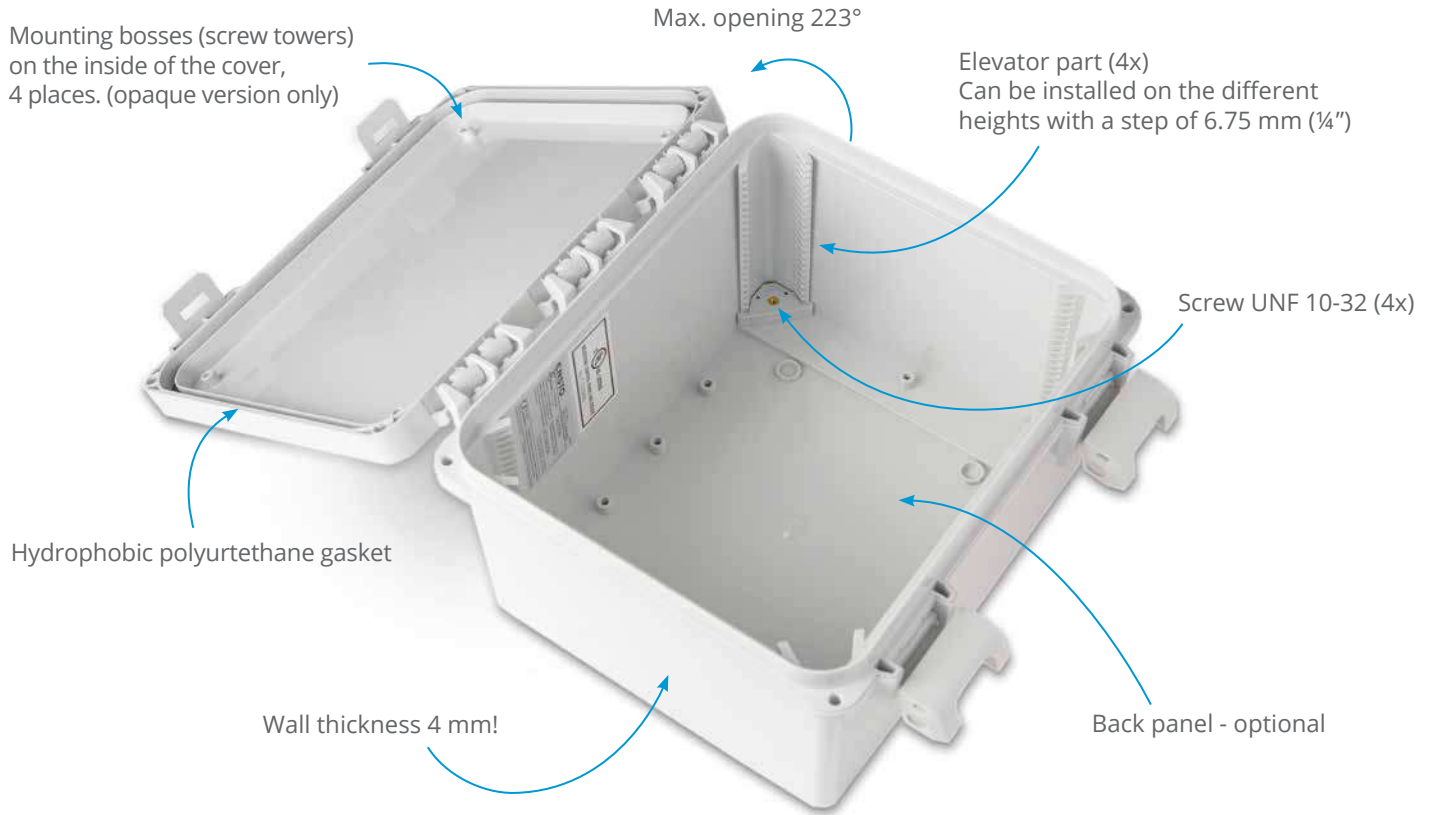
Ensto PolyBox enclosures are rugged industrial polycarbonate enclosures with unique and innovative features, such as the integral nonmetallic latch and a corner elevator mounting system for adjustable hinged front kits and back panels.

More than a box – all the benefits in one enclosure!

- › JIC sized nonmetallic enclosure design with new stylish and robust feel and look.
- › Light and tough – excellent impact and fire resistance
- › Technical features and approval on high level
- › Multiple modification possibilities
 - Holes & cutouts
 - Threads & countersinking
 - Silk-screening
 - Ask for other options!



Design for Durability



Integral Nonmetallic Latch

A robust padlockable nonmetallic latch with only one moving part, providing superior protection.



Corner Elevator System

Ensto's industry exclusive corner elevator system uses a slotted shelf technology that provides solid hinged front surfaces that are easy to install, align and keep level. This system also allows for a back panel to be raised off the back of the enclosure.



Note! The markings help you to install all of the elevator parts at the same height.



Standard Features

Four Sizes

- › 8 x 6 x 4
- › 10 x 8 x 6
- › 12 x 10 x 6
- › 18 x 16 x 10
- › More to come!

Two Cover Styles

- › Opaque (UPCG)
- › Transparent (UPCT)

Two Mounting Options

- › Flange (F)
- › Adjustable Feet

Other Features

- › DIN Rail mounting bosses in the back of the enclosure
- › Mounting bosses inside the opaque covers to mount back panels or printed circuit boards

Accessories

- › Back Panels:
 - Galvanized Steel
 - White painted steel
 - Aluminum
 - Polycarbonate
- › Hinged Front Kits
- › Full Cover Front Panel (Deadfront)
- › Ventilation Devices
- › Cord Grips

Customization

- › Holes & Cutouts
- › Threads and countersinking
- › Silk-screening
- › Painting
- › Ask for other options!

Technical Information

- › Certified according standards EN62208, UL508A
- › Degree of protection:
 - IP66 / IP68 / IP69
 - (submersion 2m/24h)
- › Impact resistance:
 - IK10 -35°C... +40°C
 - (-31F ... 104F)
- › Environmental type (UL):
 - 4X,12,13,6P
- › Flammability rating:
 - UL 746C five inch flame test
- › Operating temperature -40°C (-40F)...+80°C (176F)
- › Short term temperature range -40°C (-40F) ...+120°C (246F)

Four Configurations



Hinged, Nonmetal Snap Latch (HNL)



Hinged, Metal Snap Latch (HML)



Hinged 2-Screws, Padlock Clamp (HS)



Lift-Off 4-Screws (No Suffix)

Ensto PolyBox Wall Mount Enclosures, Opaque Cover

Height inch (mm)	Width inch (mm)	Depth inch (mm)	Inner height inch (mm)	Inner width inch (mm)	Inner depth inch (mm)	Product code	Description	GTIN-13
8 (255)	6 (185)	4 (134)	7.5 (190)	5.49 (139)	4.13 (105)	UPCG080604	Lift-Off 4-Screws	6438100212049
						UPCG080604F	Lift-Off 4-Screws, Mounting Flange	6438100212056
						UPCG080604HS	Hinged 2-Screws	6438100212063
						UPCG080604HSF	Hinged 2-Screws, Mounting Flange	6438100212070
						UPCG080604HNL	Hinged Nonmetal Snap Latch	6438100212087
						UPCG080604HNLF	Hinged Nonmetal Snap Latch, Mounting Flange	6438100212094
						UPCG080604HML	Hinged Metal Snap Latch	6438100212100
						UPCG080604HMLF	Hinged Metal Snap Latch, Mounting Flange	6438100212117
10 (276)	8 (255)	6 (185)	9.58 (243)	7.57 (192)	6.13 (156)	UPCG100806	Lift-Off 4-Screws	6438100212254
						UPCG100806F	Lift-Off 4-Screws, Mounting Flange	6438100212261
						UPCG100806HS	Hinged 2-Screws	6438100212278
						UPCG100806HSF	Hinged 2-Screws, Mounting Flange	6438100212285
						UPCG100806HNL	Hinged Nonmetal Snap Latch	6438100212292
						UPCG100806HNLF	Hinged Nonmetal Snap Latch, Mounting Flange	6438100212308
						UPCG100806HML	Hinged Metal Snap Latch	6438100212315
						UPCG100806HMLF	Hinged Metal Snap Latch, Mounting Flange	6438100212322
12 (326)	10 (276)	6 (185)	11.55 (293)	9.58 (243)	6.13 (156)	UPCG121006	Lift-Off 4-Screws	6438100212476
						UPCG121006F	Lift-Off 4-Screws, Mounting Flange	6438100212483
						UPCG121006HS	Hinged 2-Screws	6438100212490
						UPCG121006HSF	Hinged 2-Screws, Mounting Flange	6438100212506
						UPCG121006HNL	Hinged Nonmetal Snap Latch	6438100212513
						UPCG121006HNLF	Hinged Nonmetal Snap Latch, Mounting Flange	6438100212520
						UPCG121006HML	Hinged Metal Snap Latch	6438100212537
						UPCG121006HMLF	Hinged Metal Snap Latch, Mounting Flange	6438100212544
18 (482)	16 (461)	10 (276)	17.71 (450)	15.7 (399)	10.13 (257)	UPCG181610	Lift-Off 4-Screws	6438100213152
						UPCG181610F	Lift-Off 4-Screws, Mounting Flange	6438100213169
						UPCG181610HS	Hinged 2-Screws	6438100213176
						UPCG181610HSF	Hinged 2-Screws, Mounting Flange	6438100213183
						UPCG181610HNL	Hinged Nonmetal Snap Latch	6438100213190
						UPCG181610HNLF	Hinged Nonmetal Snap Latch, Mounting Flange	6438100213206
						UPCG181610HML	Hinged Metal Snap Latch	6438100213213
						UPCG181610HMLF	Hinged Metal Snap Latch, Mounting Flange	6438100213220

Ensto PolyBox Wall Mount Enclosures, Clear Cover

Height inch (mm)	Width inch (mm)	Depth inch (mm)	Inner height inch (mm)	Inner width inch (mm)	Inner depth inch (mm)	Product code	Description	GTIN-13
8 (255)	6 (185)	4 (134)	7.5 (190)	5.49 (139)	4.13 (105)	UPCT080604	Lift-Off 4-Screws	6438100212179
						UPCT080604F	Lift-Off 4-Screws, Mounting Flange	6438100212186
						UPCT080604HS	Hinged 2-Screws	6438100212193
						UPCT080604HSF	Hinged 2-Screws, Mounting Flange	6438100212209
						UPCT080604HNL	Hinged Nonmetal Snap Latch	6438100212216
						UPCT080604HNLF	Hinged Nonmetal Snap Latch, Mounting Flange	6438100212223
						UPCT080604HML	Hinged Metal Snap Latch	6438100212230
						UPCT080604HMLF	Hinged Metal Snap Latch, Mounting Flange	6438100212247
10 (276)	8 (255)	6 (185)	9.58 (243)	7.57 (192)	6.13 (156)	UPCT100806	Lift-Off 4-Screws	6438100212391
						UPCT100806F	Lift-Off 4-Screws, Mounting Flange	6438100212407
						UPCT100806HS	Hinged 2-Screws	6438100212414
						UPCT100806HSF	Hinged 2-Screws, Mounting Flange	6438100212421
						UPCT100806HNL	Hinged Nonmetal Snap Latch	6438100212438
						UPCT100806HNLF	Hinged Nonmetal Snap Latch, Mounting Flange	6438100212445
						UPCT100806HML	Hinged Metal Snap Latch	6438100212452
						UPCT100806HMLF	Hinged Metal Snap Latch, Mounting Flange	6438100212469
12 (326)	10 (276)	6 (185)	11.55 (293)	9.58 (243)	6.13 (156)	UPCT121006	Lift-Off 4-Screws	6438100212629
						UPCT121006F	Lift-Off 4-Screws, Mounting Flange	6438100212636
						UPCT121006HS	Hinged 2-Screws	6438100212643
						UPCT121006HSF	Hinged 2-Screws, Mounting Flange	6438100212650
						UPCT121006HNL	Hinged Nonmetal Snap Latch	6438100212667
						UPCT121006HNLF	Hinged Nonmetal Snap Latch, Mounting Flange	6438100340711
						UPCT121006HML	Hinged Metal Snap Latch	6438100212674
						UPCT121006HMLF	Hinged Metal Snap Latch, Mounting Flange	6438100212681
18 (482)	16 (461)	10 (276)	17.71 (450)	15.7 (399)	10.13 (257)	UPCT181610	Lift-Off 4-Screws	6438100213305
						UPCT181610F	Lift-Off 4-Screws, Mounting Flange	6438100213312
						UPCT181610HS	Hinged 2-Screws	6438100213329
						UPCT181610HSF	Hinged 2-Screws, Mounting Flange	6438100213336
						UPCT181610HNL	Hinged Nonmetal Snap Latch	6438100213343
						UPCT181610HNLF	Hinged Nonmetal Snap Latch, Mounting Flange	6438100213350
						UPCT181610HML	Hinged Metal Snap Latch	6438100213367
						UPCT181610HMLF	Hinged Metal Snap Latch, Mounting Flange	6438100213374

Accessories for Ensto PolyBox Wall Mount Enclosures

Mounting Flanges

Product code	Description	GTIN-13
UMF06	For 080604, bulk 100 pcs	6438100211820
UMF06.02	For 080604, Kit of 2 pcs	6438100211837
UMF08	For 100806, bulk 100 pcs	6438100212339
UMF08.02	For 100806, Kit of 2 pcs	6438100212346
UMF10	For 121006, bulk 100 pcs	6438100212551
UMF10.02	For 121006, Kit of 2 pcs	6438100212568
UMF16	For 181610, bulk 100 pcs	6438100212773
UMF16.02	For 181610, Kit of 2 pcs	6438100212780

Back Panels

For sizes (HxW) inch	Galvanized Steel (Product code, GTIN-13)	White painted steel (Product code, GTIN-13)	Aluminum (Product code, GTIN-13)
8.0 x 6.0	UBP0806Z 6438100212124	UBP0806ZW 6438100212131	UBP0806A 6438100212148
10.0 x 8.0	UBP1008Z 6438100212353	UBP1008ZW 6438100212360	UBP1008A 6438100340681
12.0 x 10.0	UBP1210Z 6438100212575	UBP1210ZW 6438100212582	UBP1210A 6438100212599
18.0 x 16.0	UBP1816Z 6438100213251	UBP1816ZW 6438100213268	UBP1816A 6438100213275

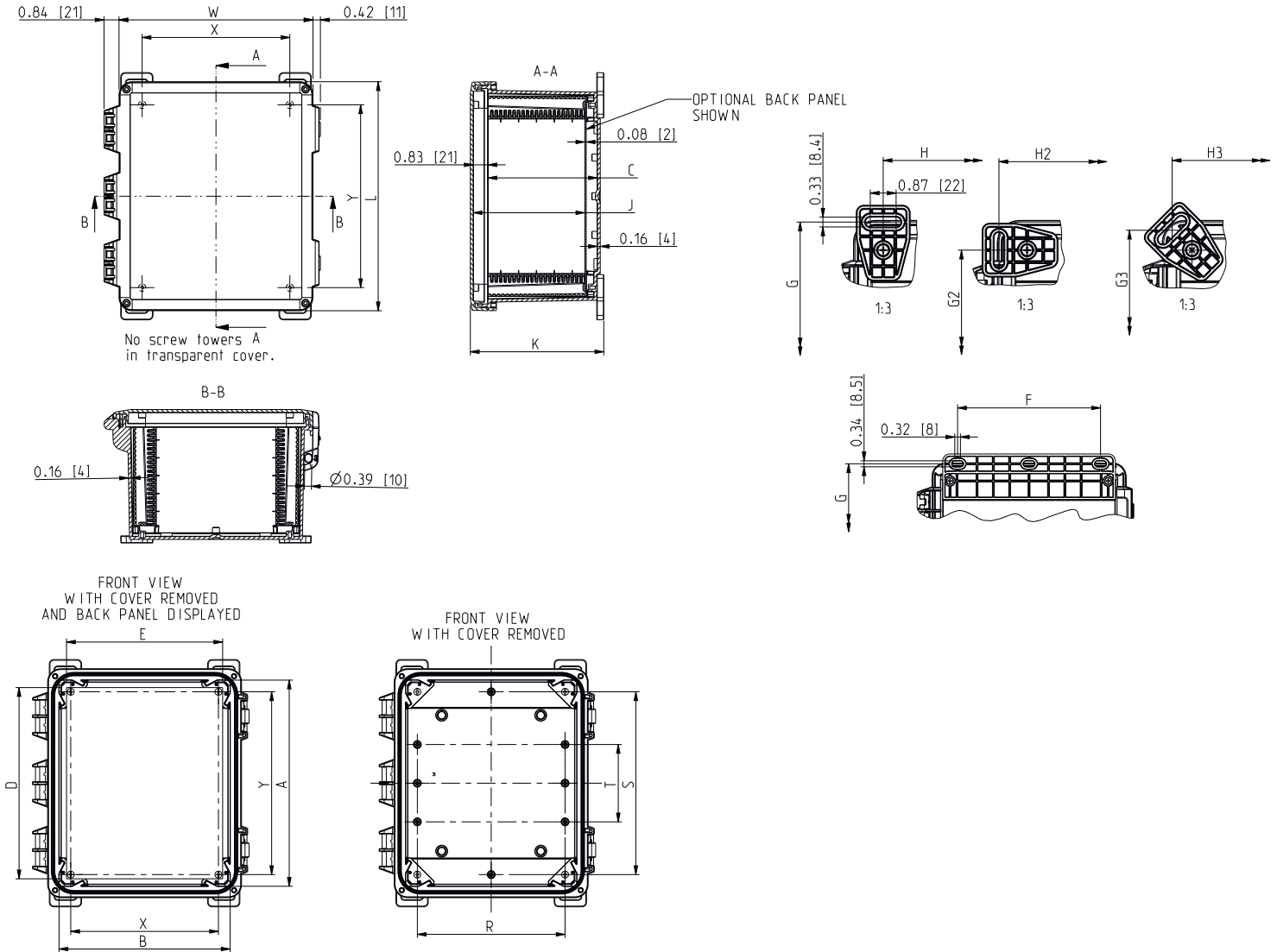
Front Panels, Aluminum

For sizes (HxW) inch	Full cover front panel (Product code, GTIN-13)	Hinged front panel kit (Product code, GTIN-13)
8.0 x 6.0	UHP0806 6438100212162	UHFK0806A 6438100212155
10.0 x 8.0	UHP1008 6438100212384	UHFK1008A 6438100212377
12.0 x 10.0	UHP1210 6438100212612	UHFK1210A 6438100212605
18.0 x 16.0	UHP1816 6438100213299	UHFK1816A 6438100213282

Other Accessories

Product code	Description	GTIN-13
Mounting Brackets		
UMB1	Nonmetal mounting bracket, Bulk 500 pcs	6438100211844
UMB1.04	Nonmetal Mounting Bracket/Foot, Kit of 4 pcs	6438100211851
Screws		
UBPS1	Back panel screw, Bulk 1000 pcs	6438100211936
UBPS1.04	Back panel screw, Kit 4 pcs	6438100211943
UCS1	Metal cover screw 1000 pcs	6438100212032
UCS1.04	Metal cover screw, kit of 4 pcs	6438100340735
UFS1	Mounting flange screw, bulk 1000 pcs	6438100340766
UFS1.04	Mounting flange screw, kit 4 pcs	6438100340773
Corner Elevators		
UEL1	Corner elevator part 1000 pcs	6438100340742
UEL1.04	Corner elevator part kit 4 pcs	6438100340759
UEL1.04S	Corner elevator part with screws, kit 4 +4 pcs	6438100350710
Cover Plugs		
UCBP1	Cover blanking plug, bulk 1000pcs	6438100340742
UCBP1.04	Cover blanking plug, kit 4 pcs	6438100341107
Front Panel Hinge Kit		
UHFP1.04	Front panel hinge kit of 2 hinges and 2 elevators	6438100344399

Dimensional Drawing



Dimensional Chart

Product code	Internal dimensions				External dimensions			Panel size		Mounting dimensions				Panel mounting holes		Bottom screw tower dimensions			
	A	B	C	J	L	W	K	D	E	G	H	H2	H3	F	Y	X	S	T	R
UPC#080604****	7.5 [190]	5.49 [139]	4.13 [105]	4.25 [108]	8.78 [223]	6.77 [172]	5.47 [139]	6.73 [171]	4.72 [120]	8.74 [222]	4.84 [123]	6.73 [171]	6.18 [157]	4 [102]	6.26 [159]	4.25 [108]	6.42 [163]	-	4.25 [108]
UPC#100806****	9.58 [243]	7.57 [192]	6.13 [156]	6.25 [159]	10.85 [276]	8.85 [225]	7.47 [190]	8.74 [222]	6.73 [171]	10.75 [273]	6.85 [174]	8.74 [222]	8.19 [208]	6 [152.4]	8.27 [210]	6.26 [159]	8.27 [210]	2.56 [65]	6.26 [159]
UPC#121006****	11.55 [293]	9.58 [243]	6.13 [156]	6.25 [159]	12.82 [326]	10.86 [276]	7.47 [190]	10.71 [272]	8.74 [222]	12.72 [323]	8.86 [225]	10.75 [273]	10.2 [259]	8 [203]	10.24 [260]	8.27 [210]	10.24 [260]	4.33 [110]	8.27 [210]
UPC#181610****	17.71 [450]	15.7 [399]	10.13 [257]	10.25 [260]	18.99 [482]	16.98 [431]	11.47 [291]	16.73 [425]	14.72 [374]	18.74 [476]	14.84 [377]	16.73 [425]	16.18 [411]	14 [356]	16.26 [413]	14.25 [362]	16.26 [413]	5.43 [138]	14.25 [362]

Dimensions in inches [mm]

= G = Grey (Opaque)
T = Transparent

**** = HNL = Hinged, Nonmetal Snap Latch
HML = Hinged, Metal Snap Latch

HS = Hinged 2-Screws, Padlock Clamp
No Suffix = Lift-Off 4-Screws



ENSTO

Ensto USA LLC
5952 Peachtree Industrial Boulevard
Suite 13, Norcross, GA 30071, USA
Tel. +1 404 384 3183, Fax +1 866 881 3334
info.usa@ensto.com

ensto.com/en-US

